



GSP HD Automatic gravity slicer

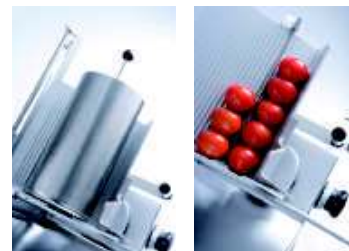
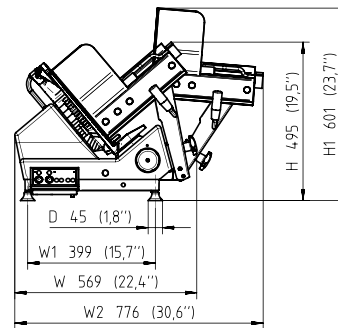
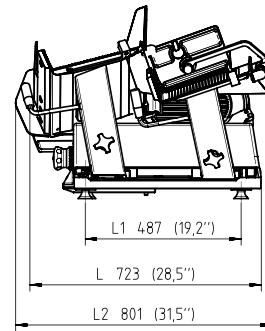
Highlights

- Hygienic design:
 - Dishwasher-safe Ceraclean® attachment parts
 - Large distance between blade and motor tower for easy cleaning by hand
 - Guided run-off of meat and product juices
 - Smooth, rounded surface without seams
 - Removable, dishwasher-safe sharpener
- 40° angled blade and flexible carriage inclination (18°/25°)
- Innovative blade cover: Intelligent quick-close system for easy assembly and disassembly
- Integrated comfort package: Servo-supported manual slicing
- Emotion® :
 - Intelligent drive technology
 - Reduced energy consumption
 - Zero energy consumption when switched off
 - Only minimal heat generated in the device and hence in the product to be cut
 - Very low noise level
- Numerous carriage versions available

Options

- Exclusive Ceraclean® surface finish
 - Excellent gliding properties
 - Easy product guidance
 - Rapid cleaning
 - Dishwasher safe
- Individual equipment:
 - Blade: Ceraclean® blade, cheese blade, bread blade
 - Numerous carriage versions
 - Blade changing device
 - Blade cover
 - Product fixation device
 - Placement (rubber feet, lifting device)
- Portion scale
- Safety package:
 - Illumination: Visual display showing the current device mode
 - Automatic switch-off function after a preset time interval
 - Automatic start/stop function via the slice thickness button
 - Stable blade guard and cover

Dimensions



Model	Blade diameter mm	Slices per minute mm	Slicing performance			Power consumption V/kW	Outer dimensions mm
			Short	Medium	Long		
GSP HD 18° L, 25° L, 25° H	330	0–24	60–75	35–58	30–50	220/0.24	GSP HD 18° L: 725 × 571 × 504.4